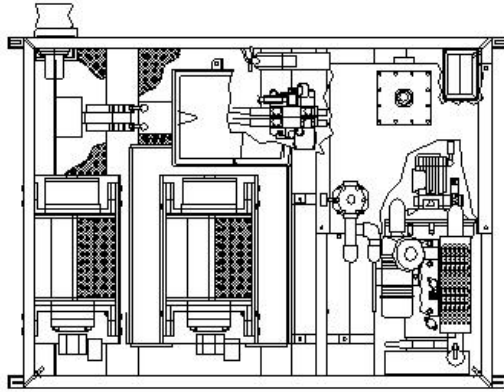


50hp Double Drum Unit



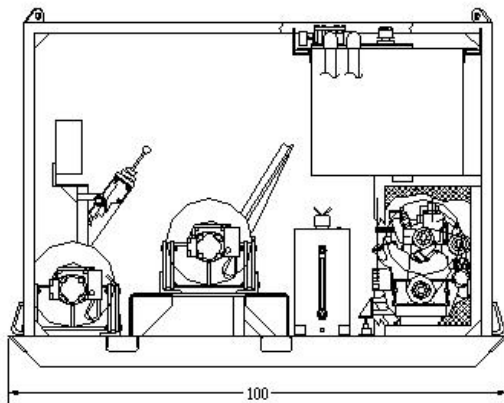
Model HHHP-50 includes the following standard features:

- 50hp water cooled diesel engine (environmentally certified worldwide)
- 12 volt electric start
- Engine controls include keyed ignition switch, tach/hour meter, oil pressure & coolant temp gauges, amp meter
- 12 volt battery in DOT approved battery box with cover and pad lockable hasp
- 20 gallon diesel fuel tank with DOT approved filler-breather cap and sight level gauge
- Open loop 2-section vane type hydraulic pump
- 2-speed "high-low" hydraulic system
- 85 gallon hydraulic oil reservoir, shock mounted (hydraulic oil included)
- 10 micron cartridge type return filter with visual clogging indicator
- Metering type directional control valve
- (2) planetary driven winches with failsafe brake and wire rope guard (API personnel rated winches available)
- 3/8", 7/16" or 1/2" wire rope capacity
- Adjustable high-back reclining operator's seat with arm rests
- Clear Lexan heat/noise shield separating operator's seat from engine
- On-board UL rated ABC fire extinguisher
- Operator/maintenance manual stowed in weather tight enclosure
- Heavy duty steel skid construction with 4-point lifting eye arrangement
- Optional capstan drive with speed control and rope cleat

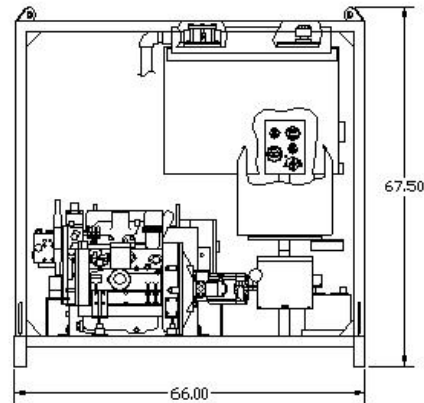


TOP VIEW

WEIGHT: 4500 LBS. WITH FLUIDS
(WITHOUT WIRE ROPE)



LEFT SIDE VIEW



REAR VIEW

**Tower Winch Performance Specifications
Model HHHP50**

HHHP-50 with DP Mfg. Winch #SB11-BBX1X1F (Not rated for personnel)

Layer	Cable Capacity 3/8" Wire Rope	Cable Capacity 7/16" Wire Rope	Cable Capacity 1/2" Wire Rope	Line Pull Low Speed (2500 psi)	Line Pull High Speed (1450 psi)	Line Speed Low Speed (16.8 gpm)	Line Speed High Speed (52 gpm)
1st	78 ft.	67 ft.	59 ft.	11,000 lbs.	5,300 lbs.	40 fpm.	130 fpm.
Middle	982 ft.	757 ft.	580 ft.	6,000 lbs.	2,900 lbs.	80 fpm.	235 fpm.
Top Legal	2,600 ft.	1,830 ft.	1,380 ft.	3,890 lbs.	1,870 lbs.	125 fpm.	375 fpm.
Full	2,820 ft.	2,020 ft.	1,550 ft.	NA	NA	NA	NA

~~HHHP-50 with DP Mfg. Winch #M12-BBS2R1E (API/Personnel Rated)~~

Layer	Cable Capacity 3/8" Wire Rope	Cable Capacity 7/16" Wire Rope	Cable Capacity 1/2" Wire Rope	Line Pull Low Speed (2500 psi)	Line Pull High Speed (1450 psi)	Line Speed Low Speed (16.8 gpm)	Line Speed High Speed (52 gpm)
1st	158 ft.	136 ft.	120 ft.	12,000 lbs.	3,200 lbs.	35 fpm.	115 fpm.
Middle	1,080 ft.	771 ft.	689 ft.	9,700 lbs.	2,700 lbs.	40 fpm.	140 fpm.
Top Legal	1,300 ft.	952 ft.	1,066 ft.	7,600 lbs.	2,380 lbs.	45 fpm.	185 fpm.
Full	2,490 ft.	1,770 ft.	1,400 ft.	NA	NA	NA	NA

HHHP-50 with Braden Winch #PD12C-41051-04U-1 (API/Personnel Rated)

Layer	Cable Capacity 3/8" Wire Rope	Cable Capacity 7/16" Wire Rope	Cable Capacity 1/2" Wire Rope	Line Pull Low Speed (2500 psi)	Line Pull High Speed (1450 psi)	Line Speed Low Speed (16.8 gpm)	Line Speed High Speed (52 gpm)
1st	103 ft.	89 ft.	78 ft.	11,540 lbs.	6,660 lbs.	35 fpm.	145 fpm.
Middle	723 ft.	515 ft.	354 ft.	8,570 lbs.	4,990 lbs.	50 fpm.	195 fpm.
Top Legal	1,523 ft.	1,053 ft.	822 ft.	6,590 lbs.	3,830 lbs.	65 fpm.	255 fpm.
Full	1,704 ft.	1,206 ft.	957 ft.	NA	NA	NA	NA

HHHP-50 with Braden Winch #PD15B-SPL-34051-06U-1 (API/Personnel Rated)

Layer	Cable Capacity 3/8" Wire Rope	Cable Capacity 7/16" Wire Rope	Cable Capacity 1/2" Wire Rope	Line Pull Low Speed (2500 psi)	Line Pull High Speed (1450 psi)	Line Speed Low Speed (16.8 gpm)	Line Speed High Speed (52 gpm)
1st	170 ft.	146 ft.	129 ft.	9,560 lbs.	5,550 lbs.	44 fpm.	177 fpm.
Middle	1,194 ft.	848 ft.	585 ft.	7,110 lbs.	4,120 lbs.	60 fpm.	239 fpm.
Top Legal	2,512 ft.	1,738 ft.	1,358 ft.	5,660 lbs.	3,280 lbs.	75 fpm.	300 fpm.
Full	2,811 ft.	1,990 ft.	1,580 ft.	NA	NA	NA	NA